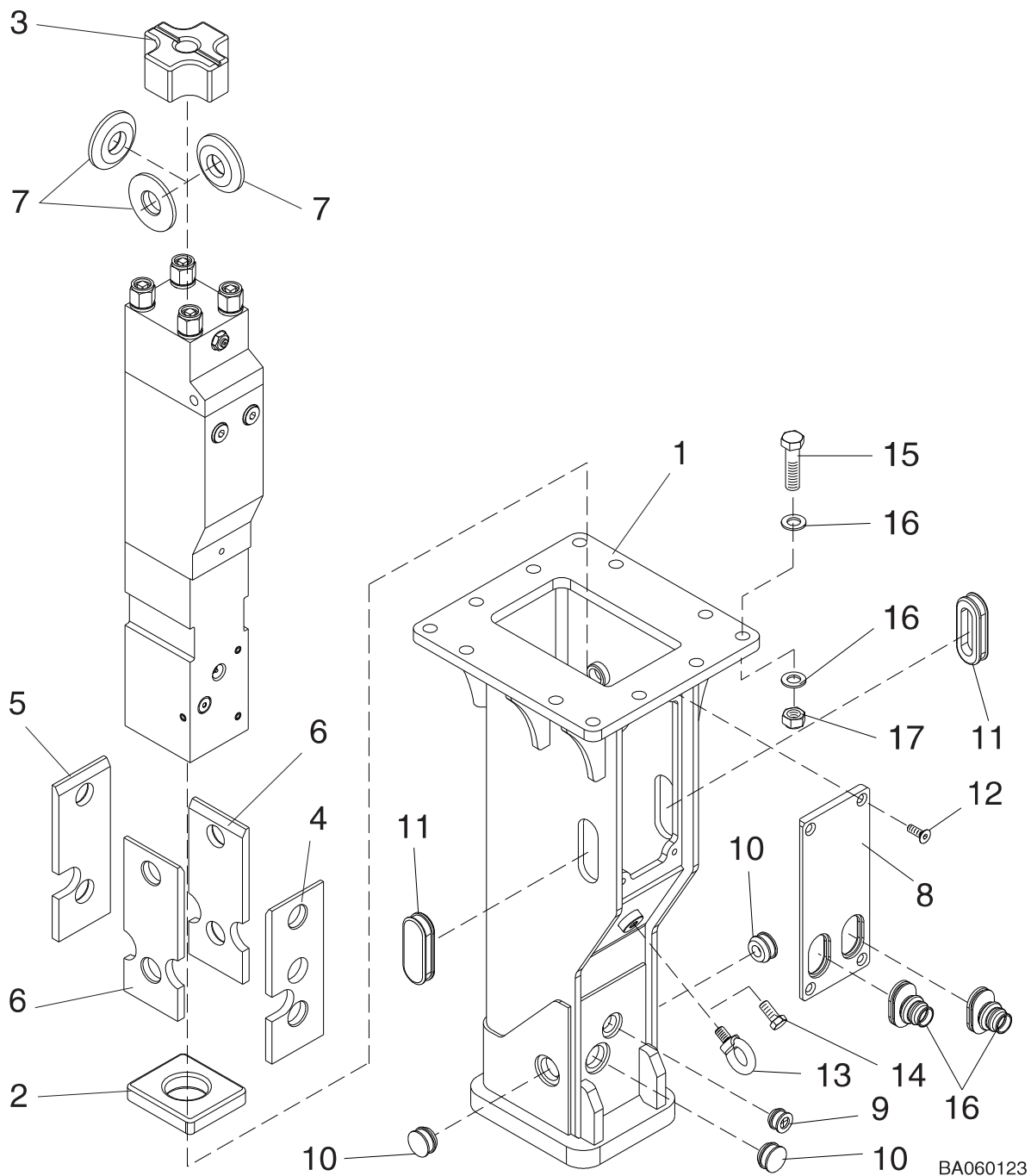


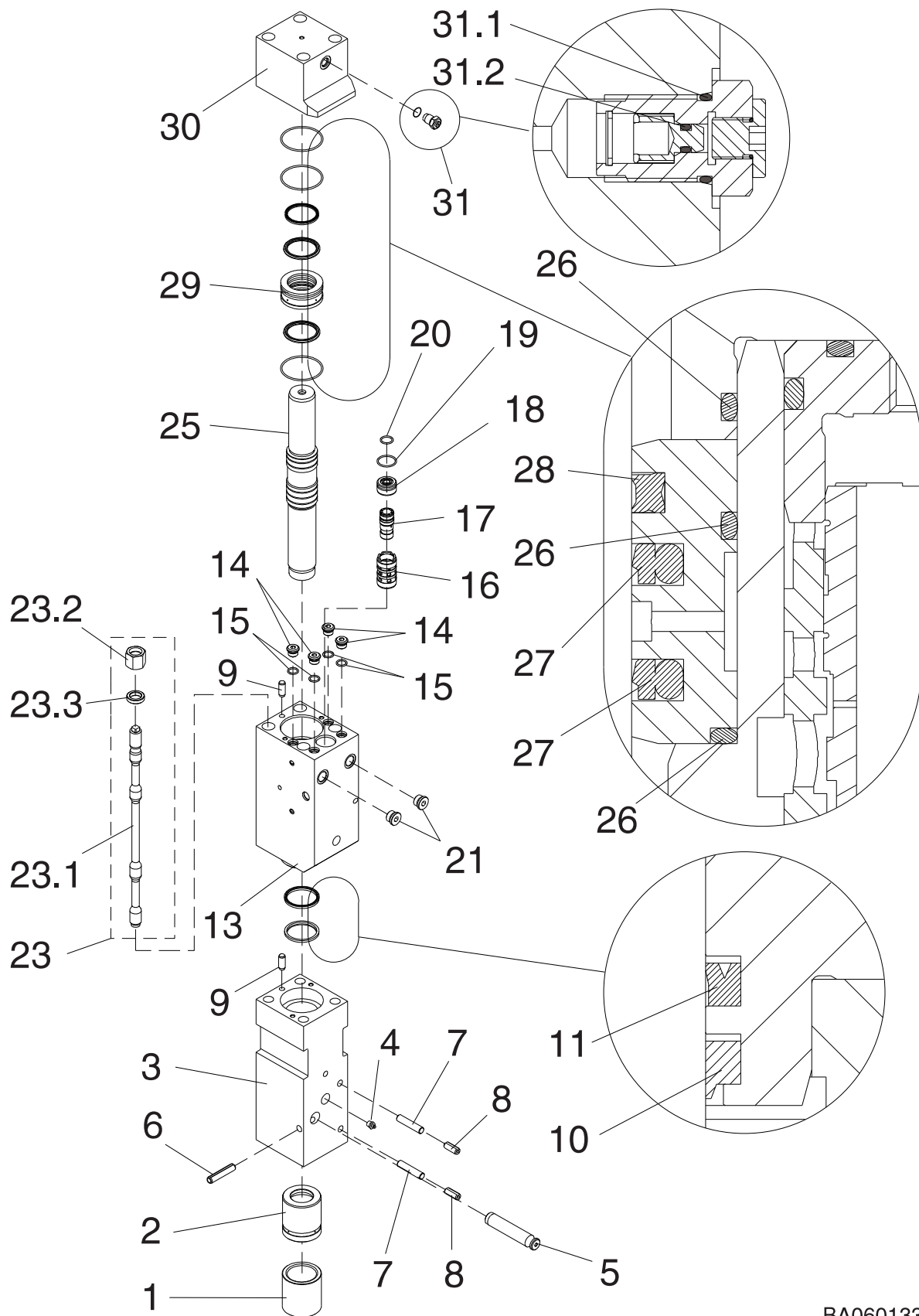
# 1. HOUSING UNIT



BA060123

Item	Description	Part no.	Specification	Note	Qty
1	Housing	176395			1
2	Pad	176153			1
3	Buffer	176152			1
4	Wear plate	176154			1
5	Wear plate	176156			1
6	Wear plate	176155			2
7	Wear plate	175574			3
8	Cover	176157			1

## 2. IMPACT UNIT



BA060133